



# Z888-18-HPD

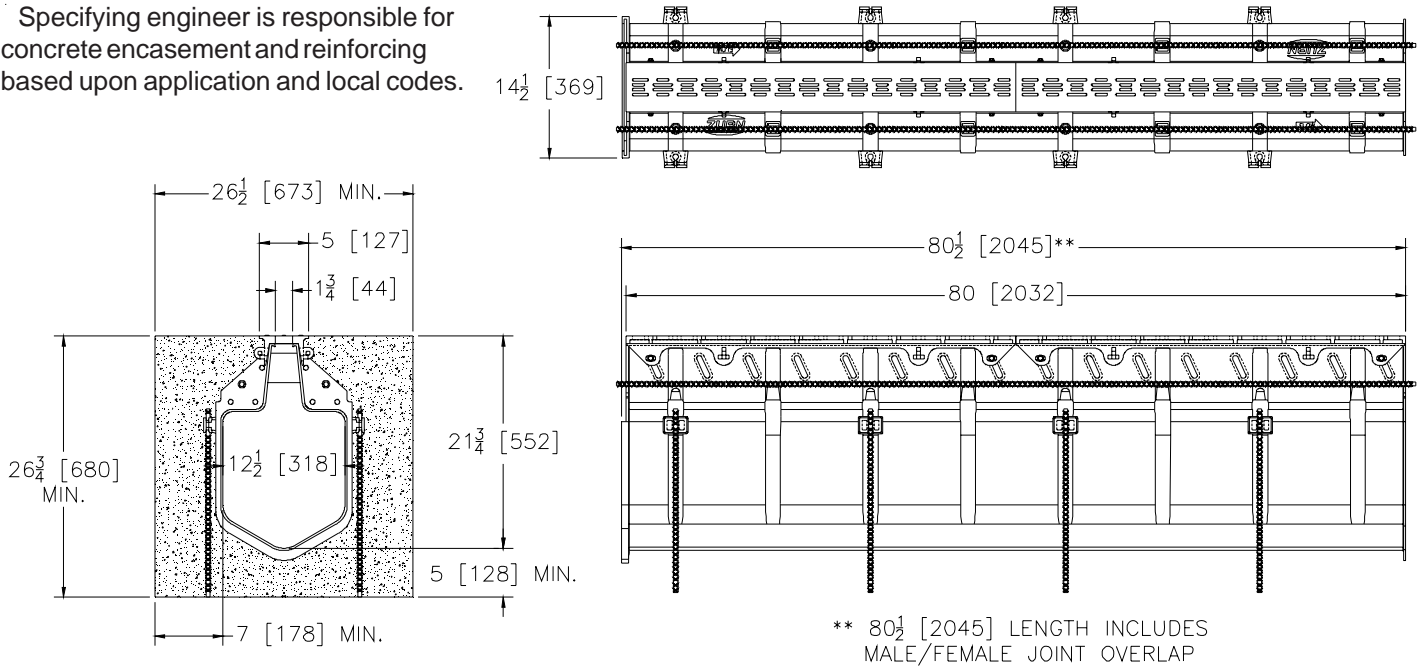
SPECIFICATION SHEET

HI-CAP SLOTTED DRAINAGE SYSTEM WITH HEEL-PROOF DUCTILE IRON GRATE FOR 18 [457] CORRUGATED PIPE OR EQUIVALENT

TAG \_\_\_\_\_

Dimensional Data (inches and [ mm ]) are Subject to Manufacturing Tolerances and Change Without Notice

Specifying engineer is responsible for concrete encasement and reinforcing based upon application and local codes.



**ENGINEERING SPECIFICATION:** Zurn Z888-18-HPD Slotted Drain channel is 80 [2032] long, 21.75 [552] deep invert, 12.5 [318] wide with a 1.75 [44] throat width, made from LLDPE linear Low Density Polyethylene. Channels have a mechanical tongue and groove and bolted connection, mechanically lock into the concrete surround every 5 [127] along its length, channels weigh 7.5 lbs. per foot [11.2 kg per meter]. Channel has a smooth 2.5 [64] radiused bottom with a smooth .011 Manning's coefficient, and neutral non-sloping body. Top reveal is non removable and is the finish at the surface, System is anchored into the concrete with Rebar clips or physical anchors every 5 [127] to 10 [254] along the channel body. Integral Rebar Clips are standard. Minimum 2000 psi concrete encasement shall include longitudinal #4 0.5 [13] rebar along chairs on either side of the trench neck. The Channel has a non-removable, ADA compliant, heelproof ductile Iron Frame/Grate conforming to ASTM A536-84, Grade 80-55-06. Ductile Iron is capable of Supporting Class C Loading per DIN EN1433 top load classifications.

**OPTIONS** (Check/specify appropriate options)

**PREFIXES**

\_\_\_ Z      80 [2032] Linear Low Density Polyethylene Modular Drain Channel with Integral Top Frame.\*

**FRAME**

\_\_\_ -HPG      Heel-Proof Ductile Iron Galvanized Frame/Grate

**SUFFIXES**

- \_\_\_ -E1      EndCap
- \_\_\_ -E8      8 [203] No Hub End Outlet
- \_\_\_ -E12      12 [304] No Hub End Outlet
- \_\_\_ -E18      18 [457] No Hub End Outlet
- \_\_\_ -E24      24 [609] No Hub End Outlet
- \_\_\_ -T12/18      Transition from -12 to -18 [304-457]
- \_\_\_ -T18/12      Transition from -18 to -12 [457-304]
- \_\_\_ -T18/36      Transition from -18 to -36 [457-914]

Supplied By:



877-903-7246

www.trenchdrainsupply.com

|                |                         |                 |
|----------------|-------------------------|-----------------|
| REV. B         | DATE: 09/02/10          | C.N. NO. 111636 |
| DWG. NO. 64004 | PRODUCT NO. Z888-18-HPD |                 |

\*REGULARLY FURNISHED UNLESS OTHERWISE SPECIFIED